

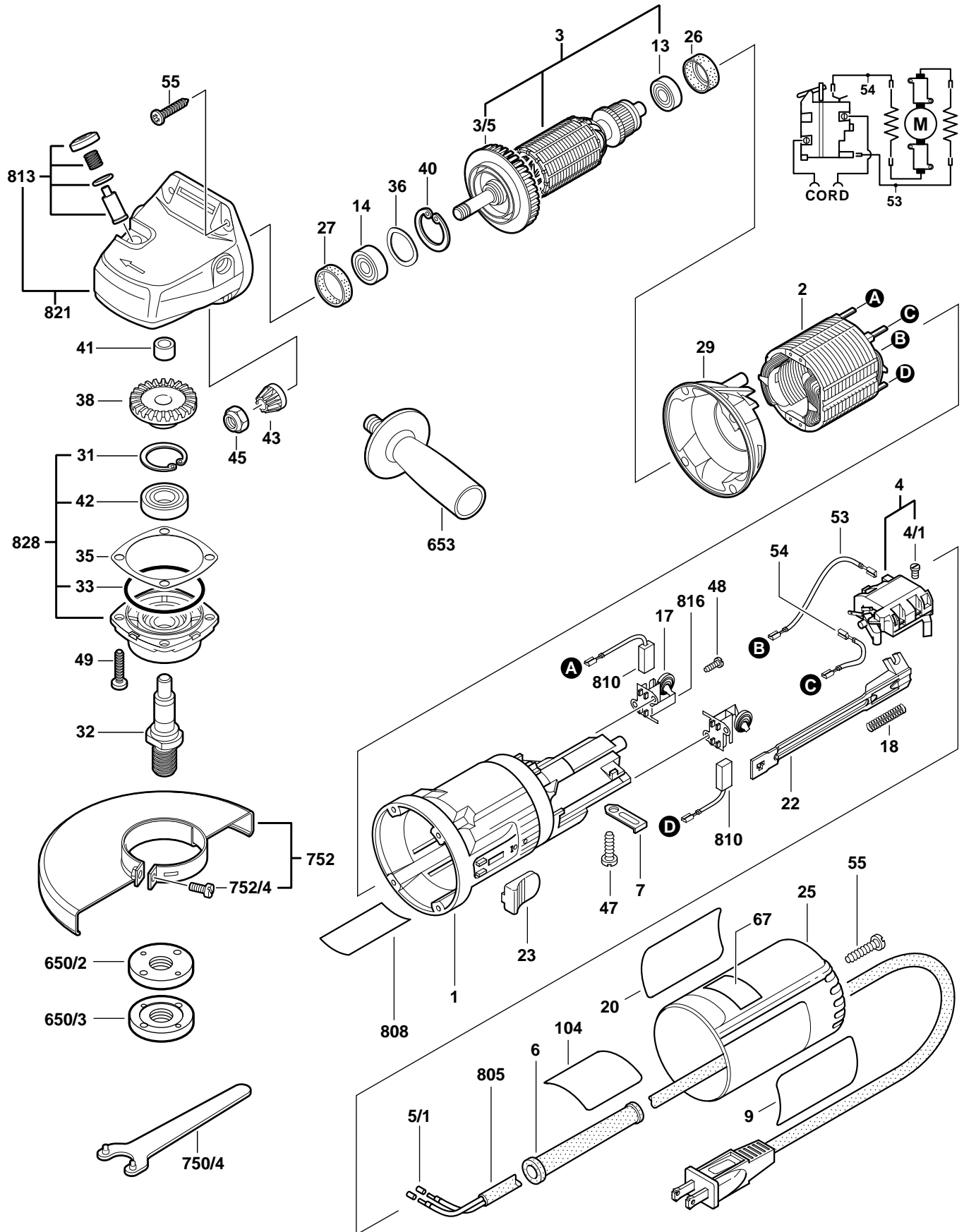
BOSCH

October 1999
INDUSTRIAL

4-1/2" MINI GRINDER

Model 0601347266

1347A



1347A 4-1/2" MINI GRINDER

Pos.	Part Number	Description {Qty.}	F/C	Pos.	Part Number	Description {Qty.}	F/C
1	1 605 108 151	Motor Housing	71	38	1 606 333 606	Crown Gear	32
2	1 604 220 226	Field 120V	22	40	2 916 660 009	Retaining Ring	89
3	1 604 010 261	Armature w/Fan 120V w/pos. 3/5, 13	AW	41	2 610 910 319	Bushing	56
3/5	1 606 610 121	Fan	23	42	2 610 904 744	Ball Bearing	51
4	1 607 200 086	Switch On/Off 120V w/pos. 4/1	15	43	1 606 333 605	Bevel Gear	33
4/1	2 910 091 047	Screw {2}	89	45	1 603 300 016	Nut	89
5/1	1 900 452 012	Terminal Sleeve {2}	11	47	2 910 611 018	Screw	89
6	2 600 703 013	Strain Relief	11	48	2 910 611 405	Screw {4}	89
7	1 601 302 017	Cord Clamp	89	49	3 603 429 515	Screw {4}	89
9	2 610 906 844	Label "1347A"	9	53	1 604 448 005	Cable 95mm	10
13	2 610 994 435	Ball Bearing	60	54	1 604 448 006	Cable 40mm	10
14	3 600 900 512	Ball Bearing	61	55	2 910 611 021	Screw {5}	89
17	1 604 652 014	Brush Spring {2}	27	67	1 601 110 358	Label "Caution"	9
18	1 604 611 026	Switch Spring	27	104	1 601 008 003	Insulating Plate {2}	9
20	2 610 906 860	Label "Caution"	9	650/2	2 610 992 248	Inner Flange 5/8"-11	91
22	1 602 319 002	Switch Slide	64	650/3	2 610 910 341	Outer Flange 5/8"-11	91
23	1 602 026 057	Switch Button	9	653	1 602 025 027	Auxiliary Handle	9
+ 23.1	1 602 026 050	Switch Button (Deadman)	9	750/4	1 607 950 043	Spanner Wrench	9
25	1 600 508 010	Housing Cover	70	752	2 610 906 260	Guard 4-1/2" w/pos. 652/4	92
26	1 600 502 020	Rubber Bearing Sleeve	82	752/4	2 910 022 197	Screw	89
27	1 600 206 025	Rubber Bearing Sleeve	82	805	3 604 460 555	Cord 120V 18/2	11
29	1 601 328 005	Air Deflector	24	808	3 601 119 595	Nameplate	9
31	2 916 660 013	Retaining Ring	89	810	1 607 014 116	Brush Set 120V	26
32	3 603 523 503	Spindle 5/8"-11	52	813	1 607 000 253	Spindle Lock Assembly	81
33	1 600 210 035	O-Ring	78	816	2 601 323 021	Brush Holder {2}	25
* 35	1 600 136 012	Shim 0.1mm	65	821	1 605 806 480	Gear Housing Assembly w/pos. 813	72
* 35.1	1 600 136 010	Shim 0.2mm	65	828	1 607 000 936	Gear Cover Assembly w/pos. 31, 33, 42	70
* 35.2	1 600 136 011	Shim 0.3mm	65				
36	1 600 150 011	Spring Washer	65				

Service Notes: There is a DC rated Switch available for this tool. The Switch, a Cable, and **Revised Wiring** are necessary for proper operation.

Pos.	Part Number	Description
4.1	1 607 200 141	Switch (DC)
52	1 604 438 026	Cable 100mm

The tool **Must** be wired as shown.

